



Please dispose of packaging for the product in a responsible manner. It is suitable for recycling. Help to protect the environment, take the packaging to the local amenity tip and place into the appropriate recycling bin.



Never dispose of electrical equipment or batteries in with your domestic waste. If your supplier offers a disposal facility please use it or alternatively use a recognised re-cycling agent. This will allow the recycling of raw materials and help protect the environment.



01938

12"x 36" Wood Lathe



FOR HELP OR ADVICE ON THIS PRODUCT PLEASE CONTACT YOUR DISTRIBUTOR.

Ref:101027

Please read and fully understand the instructions in this manual before operation. Keep this manual safe for future reference

PARTS LIST...cont

Ref No.	Description	Ref No.	Description
53.	Cap Head Bolt (M10 x 25)	61.	Washer (8 mm)
53-1	Lock washer (10 mm)	62.	Nut (M8)
54-1	Stand-Leg A	63.	Mains Lead
54-3	Stand-Top Plate	64.	Digital Readout
54-4	Stand-Long Support	65.	Label-A
54-5	Stand-Short Support	66.	Speed Label
54-6	Stand-Leg B	68.	Switch Box
55	Main Bed	69.	Switch
58	Screw (M4 x 12)	70.	Motor Power Cord
59	Cable Gland (M20 x 1.5)	71.	Screw
60.	Carriage Bolt (M8 x 10)	72.	Stop Plate

CONTENTS

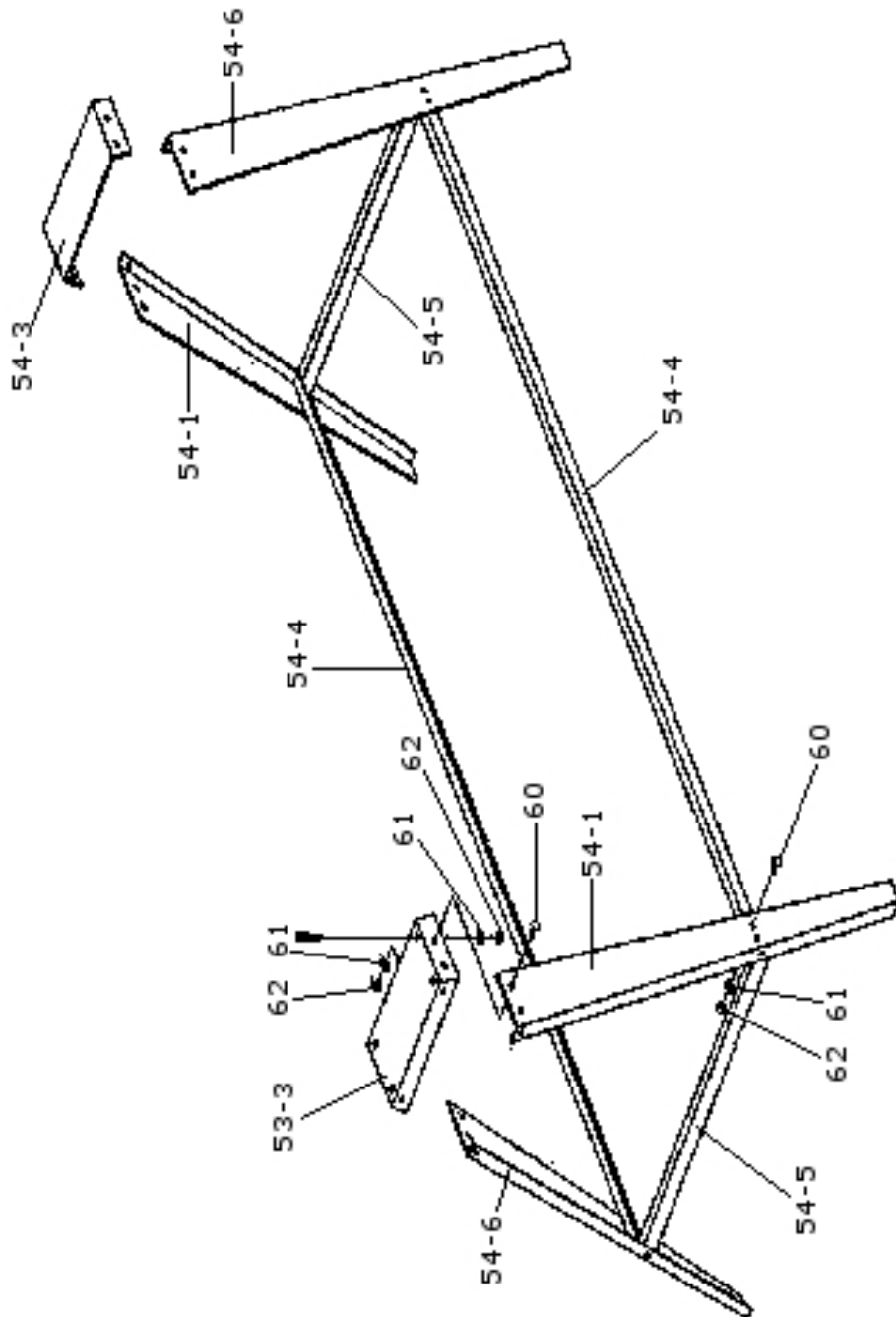
Page No.	Description
3	Contents
4	General Safety Instructions
6	Specific Safety Instructions
8	Technical Specifications
8	Contents and Accessories
9	Getting to Know Your Wood Lathe
10	Guarantee
11	Electrical Connection
12	Assembly Instructions
15	Operating Instructions
18	Maintenance
19	Exploded Drawing
21	Parts List
22	Notes

GENERAL SAFETY INSTRUCTIONS

- 1. KNOW YOUR POWER TOOL.** Read this instruction manual carefully. Learn the tool's applications and limitations, as well as its specific potential hazards.
- 2. KEEP GUARDS IN PLACE** and in working order, never use the tool if any damage is present.
- 3. REMOVE ADJUSTING KEYS AND WRENCHES.** Form a habit of checking to see that adjusting tools and wrenches are removed from machine before turning it on.
- 4. KEEP WORK AREA CLEAN.** Cluttered areas and benches invite accidents.
- 5. DON'T USE IN DANGEROUS ENVIRONMENTS.** Don't use power tools in damp or wet locations, or expose them to rain. Keep work area well lit. Don't use the tool in the presence of flammable liquids or gases.
- 6. KEEP CHILDREN AWAY.** All visitors should be kept a safe distance from work area.
- 7. MAKE THE WORKSHOP CHILD PROOF** with padlocks, master switches or by removing starter keys.
- 8. DON'T FORCE THE TOOL.** It will do the job better and safer at the rate for which it was designed.
- 9. USE THE CORRECT TOOL.** Don't force the tool or attachment to do a job for which it was not designed; for example, don't use a circular saw for cutting tree limbs or logs.
- 10. WEAR PROPER APPAREL.** Do not wear loose clothing, gloves, neckties, rings, bracelets, or other jewellery which may get caught in moving parts. Non-slip footwear is recommended. Wear protective hair covering to contain long hair.
- 11. ALWAYS USE SAFETY GLASSES.** Also use a face or dust mask if cutting operation is dusty everyday, eyeglasses only have impact resistant lenses, they are NOT safety glasses.
- 12. SECURE WORK.** Use clamps or a vice to hold work when practical. It's safer than using your hand and it frees both hands to operate tool.
- 13. DON'T OVERREACH.** Keep proper footing and balance at all times.
- 14. MAINTAIN TOOLS WITH CARE.** Keep tools sharp and clean for best and safest performance. Follow instructions for lubricating and changing accessories.
- 15. DISCONNECT THE TOOL.** Before servicing; when changing accessories such as blades, bits, cutters, and the like.
- 16. REDUCE THE RISK OF UNINTENTIONAL STARTING.** Make sure the switch is in the OFF position before plugging in or inserting battery if applicable.
- 17. USE RECOMMENDED ACCESSORIES.** Consult the owner's manual for recommended accessories. The use of improper accessories may cause risk of injury to persons or damage to the tool.
- 18. NEVER STAND ON THE TOOL.** Serious injury could occur if the tool is tipped or if the cutting tool is accidentally contacted.
- 19. CHECK FOR DAMAGED PARTS.** Before every use of the tool, check the guard or other parts for damage, check to determine that it will operate properly and perform its intended function - check for alignment of moving parts, binding of moving parts, its operation. A guard or other part that is damaged should be properly repaired or replaced.

PARTS LIST

Ref No.	Description	Ref No.	Description
1.	Headstock	26.	C-Ring (\$16)
2.	Drive Centre	27.	Sleeve
3.	Faceplate	28.	Spring
4.	Spindle	29.	Screw (M5 x 10)
5.	Key (4 x 4 x 80)	30.	Motor Pulley Set
6.	Bearing (80205Z)	31.	Screw
7.	Bearing	32.	Key (4 x 4 x 82)
8.	Spring	33.	Motor
9.	Bracket - Shifting Lever	34.	Motor Cover
10.	Bearing	35.	Angle Lock
11.	C-Ring (\$25)	36.	Tool Rest
12.	Spindle Pulley Set	37.	Handle Assembly
13.	Drive Belt	38.	Tool Rest Extension
15.	C-Ring (\$24)	39.	Tool Rest Body
16.	Push Rod	40.	Eccentric Rod
17.	Lock Nut	41.	C-Ring (\$19)
18.	Clamp-Left	42.	Cam Screw
19.	Bolt	43.	Clamp
20.	Rack	44.	Nut (M18)
21.	Speed Change Assembly	45.	Rotating Centre
21-1.	Screw (M5 x 10)	46.	Tailstock Spindle
22.	Clamp-Right	47.	Tailstock Screw
23.	Cam Screw	48.	Tailstock
24.	Shaft	48-1.	Grub Screw (M6 x 20)
24-1	Spring	49.	Hand-wheel
24-2	Locking Knob	50.	Tailstock Eccentric Shaft
24-3	Cap Head Screw	51.	Special Thread
25.	Wrench	52.	Extension Bed



- 20. DIRECTION OF FEED.** Feed work into a blade or cutter against the direction of rotation of the blade or cutter only.
- 21. NEVER LEAVE THE TOOL RUNNING UNATTENDED.** TURN the power off. Don't leave the tool until it comes to a complete stop.
- 22. DON'T ABUSE CORD.** Never carry the tool by the cord or pull it to disconnect the plug from the mains socket. Keep cord away from heat, oil and sharp edges.
- 23. USE SUITABLE VOLTAGE.** Before connecting the machine to a power source, be sure that the voltage supplied is the same as that specified on the nameplate of the machine.

SPECIFIC SAFETY INSTRUCTIONS



Caution! If used incorrectly, woodworking machines can be dangerous; for this reason always comply with the safety instructions mentioned in this manual.

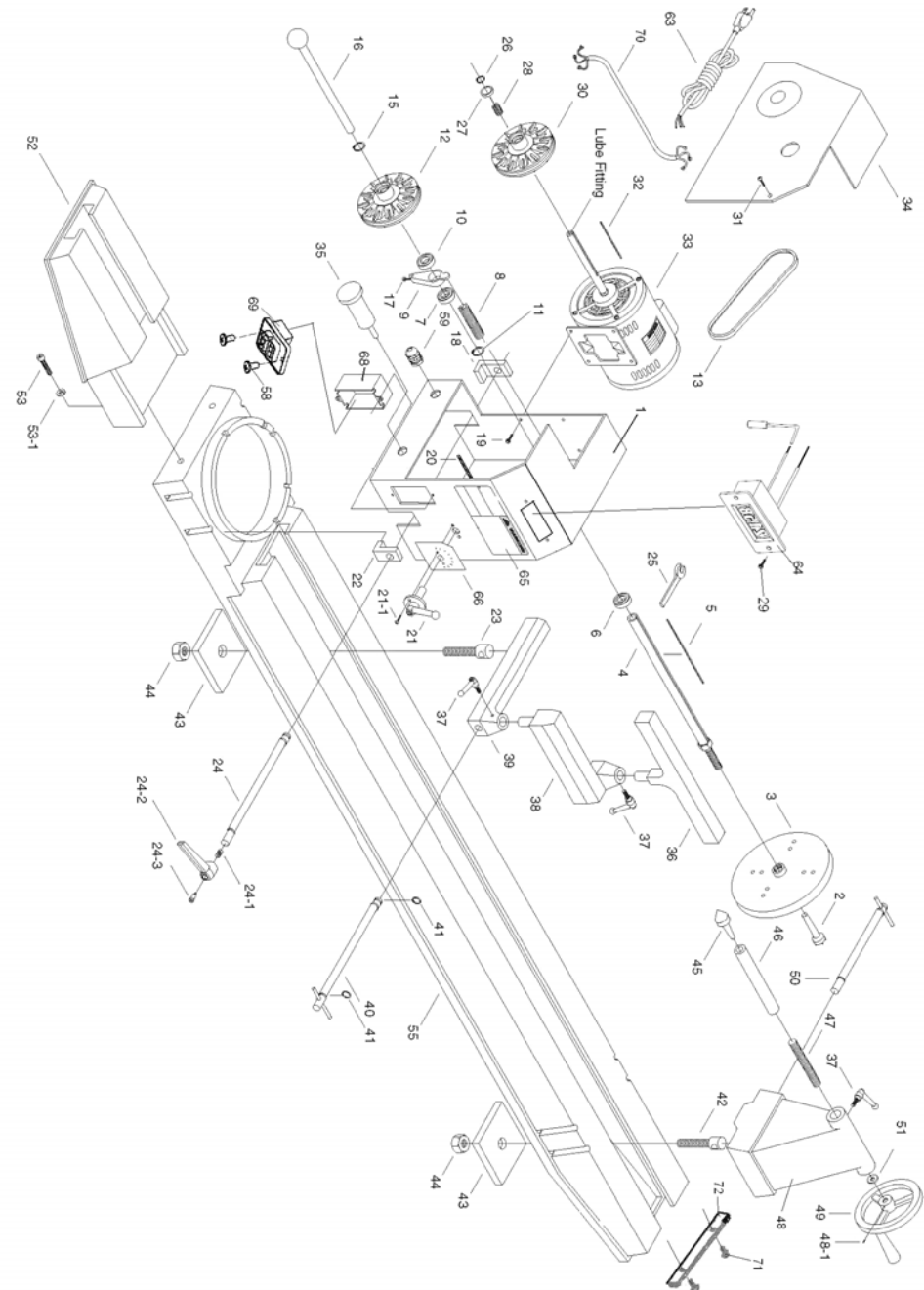
WARNING: Do not operate your wood lathe until it is completely assembled and installed according to the instructions.

1. For your own safety, read the entire instruction manual before operating the lathe.
2. Always wear eye protection.
3. Do not wear gloves, neckties, or loose clothing.
4. Tighten all locks before operating.
5. Do not mount a split work-piece.
6. Use the lowest speed when starting to cut a new work-piece, If the lathe is running so fast that it vibrates, there is a risk that the work-piece will be thrown out or the tool jerked from your hands.
7. Read and understand all warning labels attached to the wood lathe.
8. Stop and start the wood lathe at slow speed.
9. Always rotate the work-piece by hand before turning on the lathe. If the work-piece strikes the tool rest, it could split and be thrown out of the lathe.
10. Do not allow the turning tools to bite into the wood. The wood could split or be thrown out from the lathe.
11. Do not operate the lathe if it is rotating in the wrong direction. The work-piece must always be rotating toward you.
12. Before attaching a work-piece to the faceplate, always rough it out to make it as round as possible, this minimizes the vibrations while the piece is being turned. Always fasten the work-piece securely to the faceplate, failure to do so could result in the work-piece being thrown away from the lathe.
13. Position your hands so that they will not slip onto the work-piece.
14. Remove all loose knots in the stock before mounting it between the centres or on the faceplate.
15. Leave the work area only after the lathe's motor has come to a full stop.
16. Keep your chisels and turning tools within easy reach while working. Do not lay them on the bench so that you must reach over the revolving work-piece to select them.
17. Keep a firm hold and remain in control of the cutting tool at all times. Take special precautions when shaping a section of stock in which knots or voids are found.
18. Always make safety a priority.



CAUTION: THE WARNINGS AND CAUTIONS MENTIONED IN THIS INSTRUCTION MANUAL CAN NOT COVER ALL POSSIBLE CONDITIONS AND SITUATIONS THAT MAY OCCUR. IT MUST BE UNDERSTOOD BY THE OPERATOR THAT COMMON SENSE AND CAUTION ARE FACTORS WHICH CAN NOT BE BUILT INTO THIS PRODUCT, BUT MUST BE APPLIED.

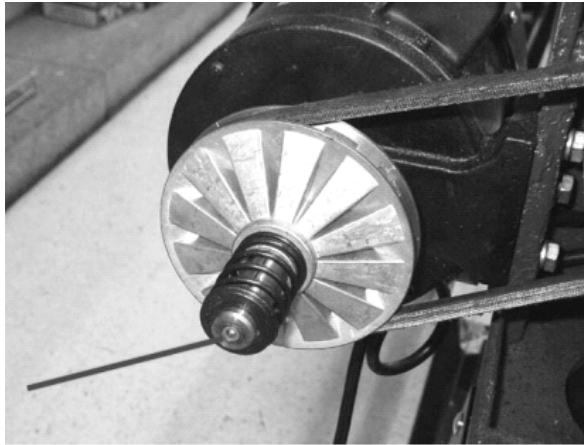
EXPLODED DRAWING



MAINTENANCE

WARNING - FOR YOUR OWN SAFETY; ALWAYS TURN THE LATHE OFF AND DISCONNECT IT FROM THE MAINS SUPPLY BEFORE PERFORMING ANY MAINTENANCE OR LUBRICATION WORK ON THE LATHE.

- Vacuum and / or blow out any dust accumulation inside the motor housing on a regular basis.
- Apply a coat of paste wax, or similar to the lathe bed to help keep it clean and to facilitate the easy movement of the articulated tool rest and tailstock.
- Proper Oiling and maintenance must take place to ensure the quality and life of the machine. To Maintain this, the use of a pin point oiler would be helpful. Take the headstock cover off, and oil the point in the diagram. This should be done periodically.



Periodic lubrication of the spring levers and other threaded parts will make them easier to operate and prevent any possible corrosion.

SPECIFIC SAFETY INSTRUCTIONS...cont



WARNING! Before connecting the tool to the mains supply be sure that the voltage supply is the same as that specified on the nameplate of the tool. A power source with a voltage greater or lower than that specified for the tool can result in serious injury to the user, as well as damage to the tool. If in doubt, do not plug the tool into the mains supply. Always turn the machine off and remove the plug from the mains socket before making any adjustments or maintenance.

- When an extension cable is required, you must ensure that it has the right amperage rating and a large enough cross section for the mini wood lathe. It should also be checked to make sure that no damage is present and it is in safe electrical condition.
- Ensure that you have removed foreign objects such as nails and screws from the work-piece before commencing the operation.
- Rags, cloths, cord, string and anything that could get "dragged" into the lathe should be removed from the work area prior to use.
- Damaged or contaminated work-pieces may cause unwanted hazards.
- Metal parts penetrated into the work-piece can be very dangerous, and should be removed before operation starts.
- Use safety equipment including safety goggles or shield, ear protection, dust mask and protective clothing.
- Check to make sure that all fixing screws etc. are tight before operating the lathe.



When using this wood lathe, always ensure the operator as well as those in the area wear ear protection; particularly during extended use.



When using this wood lathe always ensure the operator as well as those in the area wear eye protection.

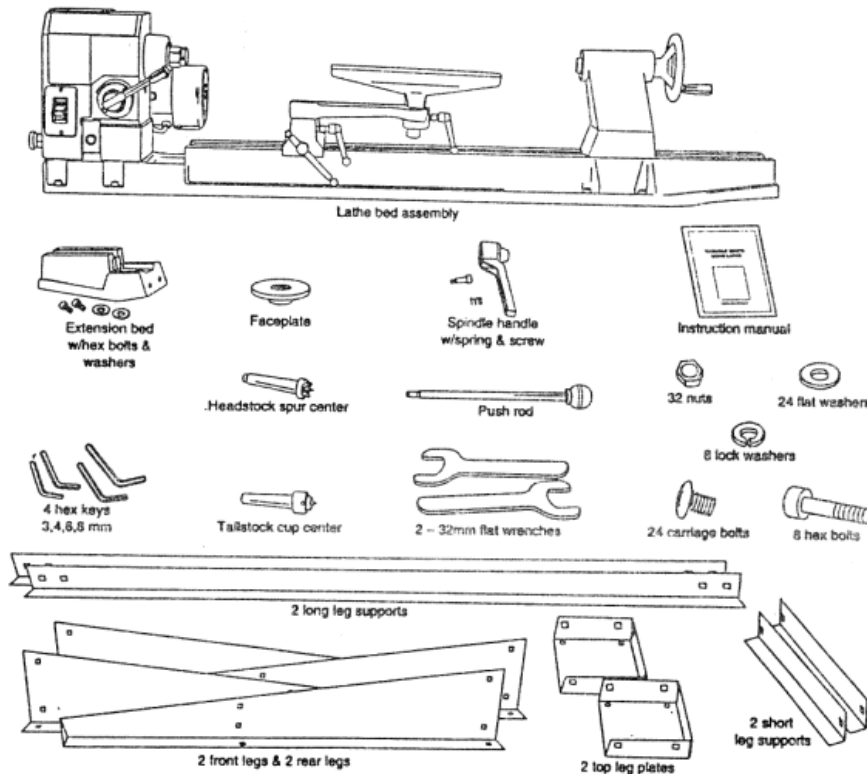


Some wood and wood composites / additives have the potential to be highly toxic; always wear a face mask when operating this wood lathe.

TECHNICAL SPECIFICATIONS

Part Number	01938
Input Voltage	230v ~ 50hz
Power	550 watts
Speed	500 rpm - 2000 rpm (variable)
Distance Between Centres	900 mm
Maximum Turning Ø	310 mm
Spindle Thread Size	3/4" x 16tpi
Drive Spur Size	1 Morse Taper
Tailstock Rotating Centre Size	2 Morse Taper

CONTENTS AND ACCESSORIES



OPERATING INSTRUCTIONS...cont

- When using the tool rest extension arm, loosen lock levers (5) and (6) to make any necessary adjustments.
- Be certain to tighten all tool rest locking levers before turning on the lathe.
- The articulated tool rest may also be repositioned onto the extension bed for use on outboard turnings.

IMPORTANT: Make sure that the tool rest is adjusted to be as close to the work-piece as possible, without touching. Rotate the work-piece by hand to check the clearance before turning the lathe on.

On / Off NVR Switch:

To start the lathe; lift the yellow cover and press the green button (1).

To stop the lathe; press the red (0) button, or alternatively close the yellow cover.

Your variable speed SIP wood lathe is fitted with a safety NVR (No Volt Release) switch. This means that if power is cut to the lathe (such as in a power failure); the motor will not start to run once the power is returned without the operator following the above instructions to restart the lathe.

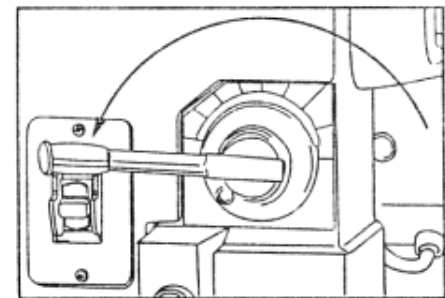
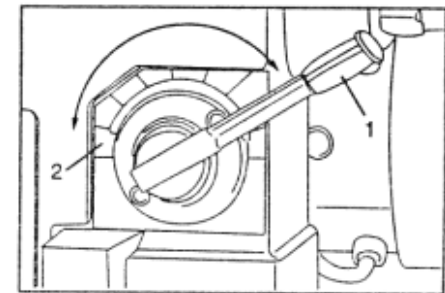
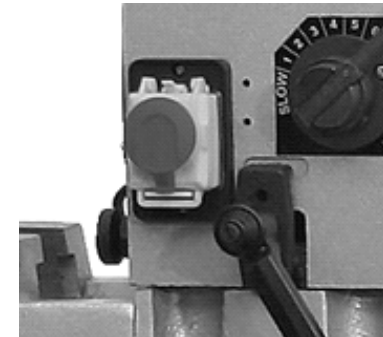
Speed Control:

The lathe motor *must* be running before you can use the speed control lever.

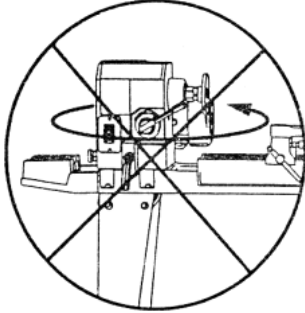
The speed control lever can be rotated to any one of ten fixed speeds; To set the speed:

- Pull back on the speed control lever (1) and rotate the lever to the desired speed. Use the index plate (2) as a reference to select the desired speed.
- Rotating the lever clockwise will increase the speed while a counter clockwise rotation decreases the speed.

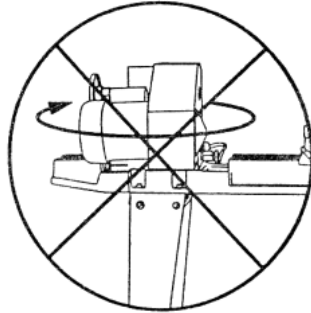
Always return the speed control lever to the lowest speed position before turning the lathe off. Not complying may prevent the motor from starting and / or cause damage to the lathe.



WARNING: DO NOT TURN THE HEADSTOCK ASSEMBLY MORE THAN 180° CLOCKWISE FROM THE SPINDLE SETTING POSITION OR DAMAGE TO WIRING MAY OCCUR.



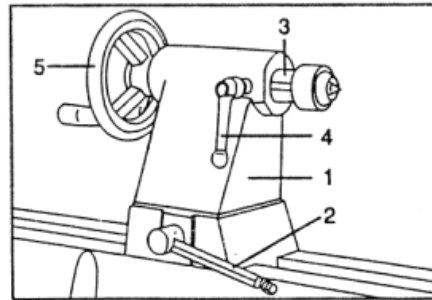
DO NOT TURN THE HEADSTOCK ASSEMBLY COUNTERCLOCKWISE BEYOND THIS POSITION



DO NOT TURN THE HEADSTOCK ASSEMBLY CLOCKWISE BEYOND THIS POSITION

Operating The Tailstock:

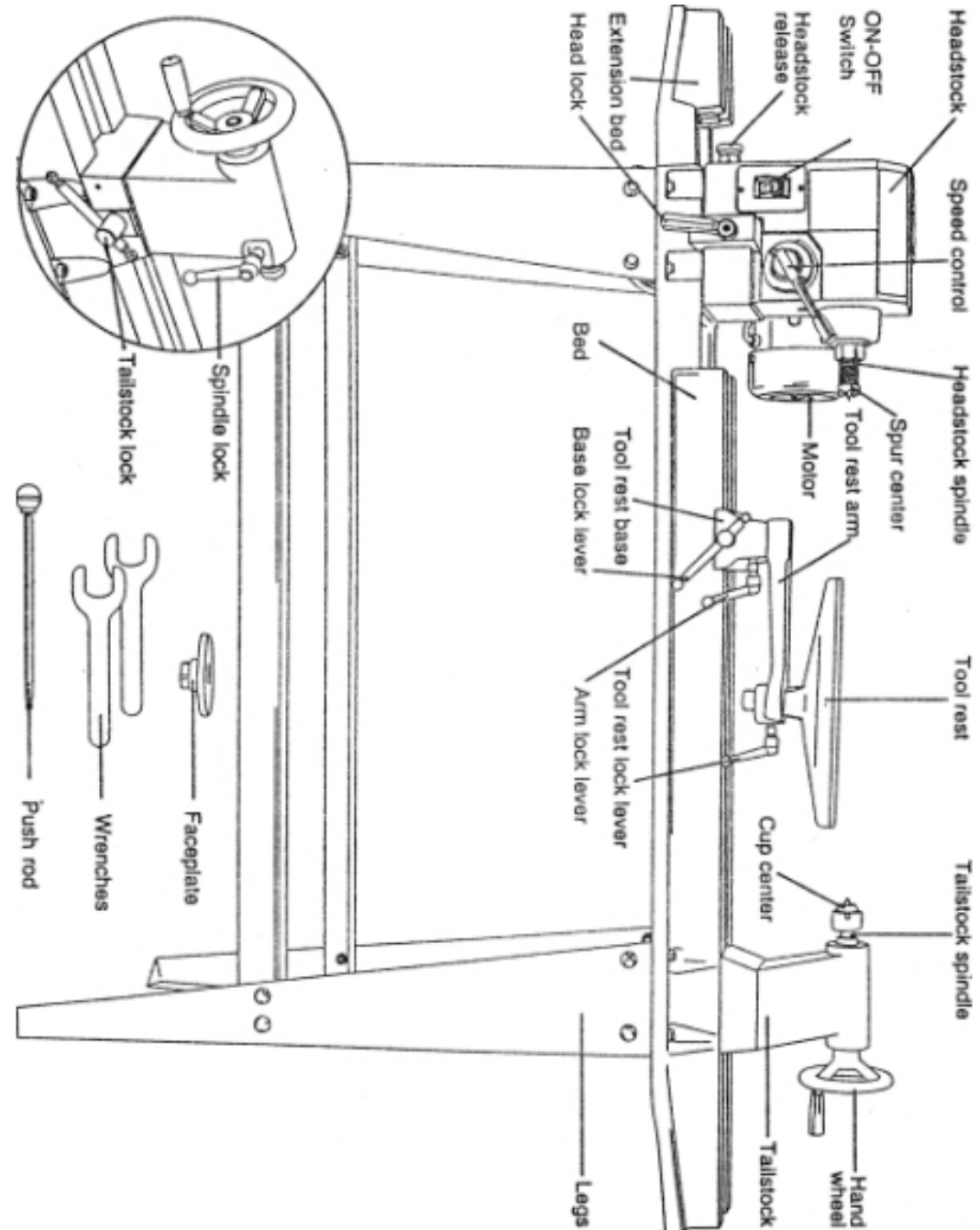
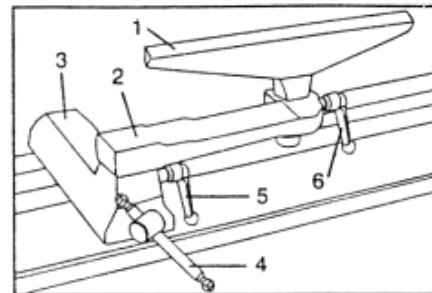
- Move the tailstock (1) by loosening the tailstock lock lever (2) and sliding the tailstock assembly to the desired position on the lathe bed. Securely lock the tailstock into position by tightening the lock lever.
- The tailstock spindle (3) can extend up to 2-1/2" from the tailstock housing. You can move the tailstock spindle by loosening the spindle lock lever (4) and then rotating the spindle hand wheel (5).
- Be sure that lock levers (4) and (2) are secure before operating the lathe.
- The tailstock spindle is hollow and can be accessed from the hand wheel end. Use the push rod to remove the Morse Taper live centre.



Operating The Tool Rest:

The articulated tool rest (1) may be used with or without the extension arm (2).

- To move the tool rest base (3) loosen the lock lever (4) and slide the tool rest base left or right along the lathe bed or it may be moved forward or backwards.



GUARANTEE

Guarantee:

This SIP wood lathe is covered by a 24 month parts and labour warranty covering failure due to manufacturers defects. This does not cover failure due to misuse or operating the machine outside the scope of this manual.

In the unlikely event of warranty claims, contact your distributor as soon as possible. Proof of purchase will be required before any warranty can be honoured.



Note: Proof of purchase will be required before any warranty can be honoured.

OPERATING INSTRUCTIONS

Operating tips:

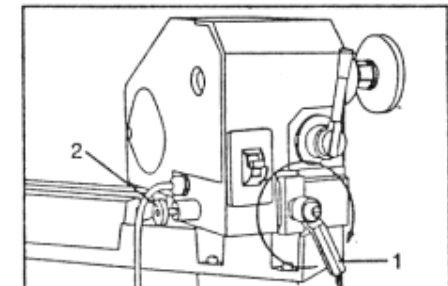
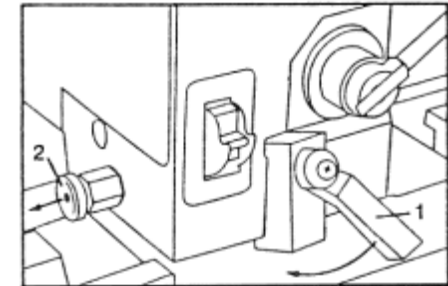
1. Make sure cutting tools are sharp and clean for best performance and safe operation.
2. Never leave the work area until the lathe has been turned off and the spindle has come to a complete stop.
3. Once a work-piece has been clamped onto the lathe, always rotate the work-piece by hand and check for proper tool rest clearance before turning the lathe on.
4. When turning a work-piece, always rough the wood to round form at a low speed to reduce the risk of kickback.
5. Always position the tool rest firmly and securely just above the centreline of the work-piece when shaping a piece of stock.
6. Remove all loose knots from the stock before it is mounted on to the lathe.
7. Always keep a firm hold on and maintain control of the cutting tool.
8. If you are uncertain about the optimal speed, it is better to start with the slowest, and increase your speed as your comfort with the tool and the work piece increases.
9. Never force the tool or attachment to do the work of a larger industrial tool. It is designed to do the job better and more safely at the rate for which it was intended.

Rotating The Headstock:

The headstock has 5 pre-set positions. 0 degrees for all spindle turning applications, 60, 90 and 120 degrees for use when making faceplate turnings and 180 degrees when using the extension bed and the tool rest.

To set the headstock in the desired position:

- Turn the headlock handle (1) until you have completed at least one full rotation.
- Pull out the headstock release (2).
- Rotate the entire headstock in a clockwise rotation to the desired position. The headstock will 'click' into one of the pre-set settings.
- Tighten the headlock handle (1).

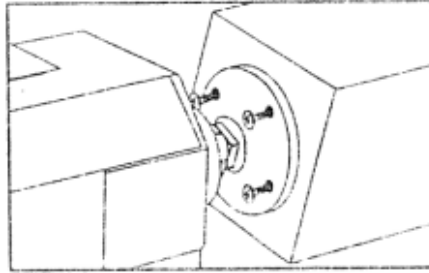


ASSEMBLY INSTRUCTIONS...cont

Installing The Faceplate:

Remove the headstock spur from the spindle by using the push rod.

Thread the 4" diameter faceplate onto the spindle and tighten with the supplied wrenches. Mount your work-piece to the faceplate using flat head brass screws. Be certain that the ends of the screws will not interfere with your planned turning.

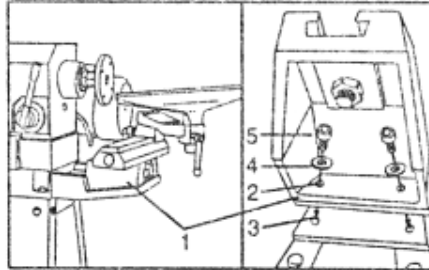


Fitting The Extension Bed:

The extension bed is attached to the left of the headstock for outboard faceplate turning when the use of the articulated tool rest is required.

If outboard faceplate turning does not require the use of the tool rest, do not attach the extension bed.

- To attach the extension bed (1) to the lathe bed, align the bolt holes (2) with the threaded bed holes (3).
- Install a lock washer (4) onto a cap-head bolt (5). Finger tighten and then secure



DO NOT ATTEMPT TO OPERATE YOUR LATHE UNTIL IT IS COMPLETELY ASSEMBLED AND ADJUSTED ACCORDING TO THE INSTRUCTION MANUAL.

ELECTRICAL CONNECTION

Connecting to the power supply:

This SIP wood lathe is fitted with a standard 230v ~ 13 amp plug. Before using the lathe, inspect the mains lead and plug to ensure that neither are damaged. If any damage is visible have the lathe inspected / repaired by a suitably qualified person. If it is necessary to replace the plug a heavy duty impact resistant plug would be preferable.

The wires for the plug are coloured in the following way:

Yellow / green	Earth
Blue	Neutral
Brown	Live

As the colours of the wires may not correspond with the markings in your plug, proceed as follows: The wire which is coloured blue, must be connected to the terminal marked with N or coloured black. The wire which is coloured brown, must be connected to the terminal, which is marked L or coloured red. The wire which is coloured yellow / green should be connected to the terminal which is coloured the same or marked \perp

Always secure the wires in the plug terminal carefully and tightly. Secure the cable in the cord grip carefully.



Warning: Never connect live or neutral wires to the earth terminal of the plug. Only fit an approved plug with the correct rated fuse. If in doubt consult a qualified electrician.



Note: Always make sure the mains supply is of the correct voltage and the correct fuse protection is used. In the event of replacing the fuse always replace like for like.



Note: If an extension lead is required in order to reach the mains supply; ensure that this too is rated for the correct voltage and fuse rating (230v ~ 13 amps).



Note: The cross section of the extension lead should be checked so that it is of sufficient size so as to reduce the chances of voltage drops.

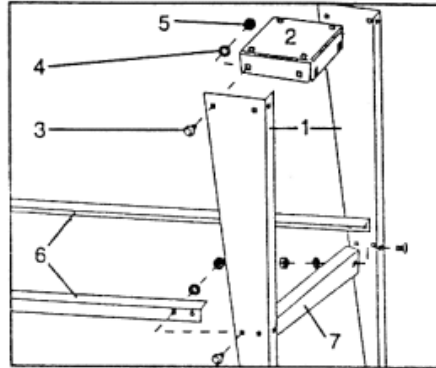
ASSEMBLY INSTRUCTIONS

CAUTION: The lathe is a heavy machine and must be lifted with assistance to assemble the lathe to the leg set.

- Separate the leg set parts.
- Lay out all parts and check them against the parts illustrated on page 8.
- Examine all parts carefully.

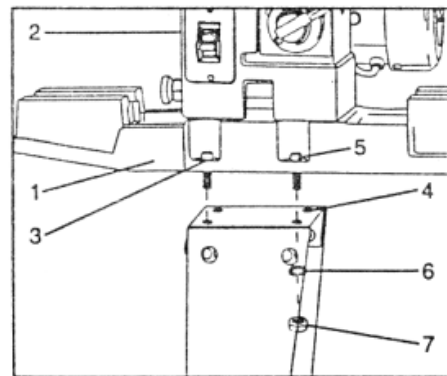
Leg Set Assembly:

- Attach one front leg and one back leg (1) to the outside edges of the top plate (2) using carriage bolts (3), washers (4) and nuts (5). The top plate (2) should fit *inside* the legs (1). Do not tighten nuts at this point.
- Repeat this procedure for the remaining legs and top plate.
- Attach the long supports (6) to the legs using carriage bolts, washers and nuts.
- Attach the short supports (7) on the ends of the legs in the same fashion.
- Place the leg stand on a level surface and tighten *all* nuts securely using a 14 mm wrench.



Fitting The Lathe To The Leg Set:

- Place the lathe unit on the leg set.
- Position the headstock (2) assembly over the top plate and align the holes of the lathe bed (3) with the holes in the top plate (4).
- Align the tailstock assembly bolt holes with the top plate holes and install the Cap head bolts (5) into all of the mounting holes and through the top plates.
- Install a washer (6) and nut (7) onto each bolt and tighten securely with a wrench and the supplied Allen keys.

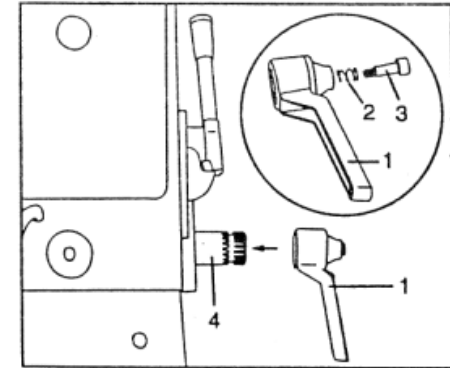


Ensure that all nuts and bolts are securely fastened.

ASSEMBLY INSTRUCTIONS...cont

Fitting The Headstock Locking Handle:

- Locate and assemble the head locking handle (1), spring (2) and Allen bolt (3) as shown.
- Thread the head lock assembly into the head locking clamp and tighten.

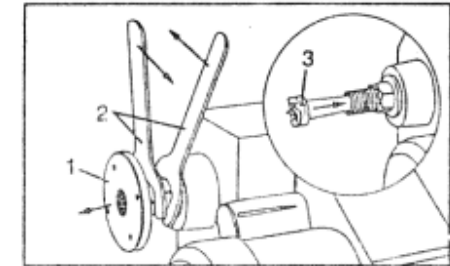


Note: Spring loaded handles:

The spring-loaded handles on the lathe are designed to minimize interference with other lathe parts or the work-piece. To operate these handles; Release handle in and rotate clockwise to tighten. Pulling back the handle will disengage the threaded shaft allowing you to reposition the handle so that it is out of the way.

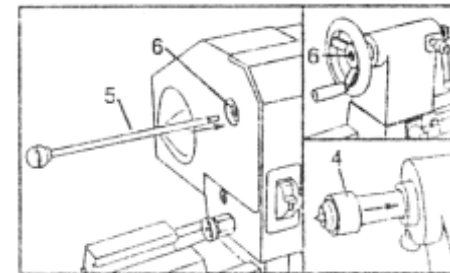
Fitting The Drive Spur / Rotating Centre:

- Remove the faceplate (if factory installed) (1) from the headstock using the 2 wrenches (2) provided and set aside.
- Insert the headstock spur (3) into the spindle hole.
- Install the tailstock live centre into the tailstock spindle.



Removing The spur / Rotating Centre:

- To remove either the headstock spur or the tailstock live center insert the push rod (5) through the back access holes of the headstock and tailstock spindles and lightly tap.



Remove the rod and store it for future use.